

The background of the entire page is a vibrant yellow with a subtle, swirling pattern. A large circular cutout in the center reveals a factory floor. Inside the circle, several yellow robotic arms are positioned around a silver car body, which is in the process of being assembled. The car's interior and exterior panels are visible, and the robotic arms appear to be performing precise tasks. The overall scene is one of modern industrial automation.

ELECTROGEN

SPINNING
YOUR
WORLD

Single Phase Motors

موتورهای تک فاز خازن دائم و دوخازنه

IEC Single Phase Capacitor Run Motors Standard Motors up to Frame Size 100

Technical Data

Aluminium housing. Basic version

IE1	Rated Output kW	Size	Type	Rated Speed rpm	Nominal Efficiency %	Power Factor	Rated Current at 220V A	Rated Torque Nm	Starting Torque	Starting Current	Capacitor μ F	Capacitor Voltage V
									For Direct-on-line starting as multiple of the rated			
									Torque	Current		
3000 rpm, 2-poles, 50 Hz												
0.18	63 M	34180	2830	60.3	1.00	1.4	0.63	0.50	3.2	10	400	
0.25		34250	2750	65.0	0.99	1.8	0.86	0.60	3.5	10	450	
0.37	71 M	35370	2860	71.5	1.00	2.6	1.2	0.40	3.3	12	450	
0.55		35550	2800	70.0	1.00	4.0	1.9	0.48	3.0	16	450	
0.75	80 M	37750	2800	70.5	1.00	4.8	2.6	0.40	2.8	25	450	
1.1		37110	2850	77.0	0.98	6.5	4.3	0.35	4.0	35	400	
1.5	90 S	39150	2820	77.5	0.98	8.8	5.1	0.27	3.8	40	400	
2.2	90 L	39220	2850	79.0	0.95	13.3	7.3	0.26	4.1	50	400	
1500 rpm, 4-poles, 50 Hz												
0.12	63 M	41120	1350	54.5	1.00	1.0	0.85	0.54	2.2	8	400	
0.18		41180	1385	56.6	0.98	1.5	1.25	0.55	2.2	10	450	
0.25	71 M	36250	1390	59.0	0.97	2.0	1.7	0.71	1.9	18	450	
0.37		36370	1400	61.2	0.95	2.8	2.6	0.48	2.4	14	450	
0.55	80 M	38550	1400	68.5	0.96	3.6	3.8	0.32	3.9	30	400	
0.75		38750	1385	68.0	0.95	5.0	5.2	0.25	4.2	30	400	
1.1	90 S	40110	1425	77.0	0.94	6.9	7.4	0.32	4.6	35	450	
1.5	90 L	40150	1430	77.5	0.96	9.2	10	0.33	4.8	45	450	
2.2	100 L	43220	1445	79.5	0.95	13.2	14.5	0.31	5.2	70	400	

* Flange-mounted (B5) and foot-mounted (B3) are available for all type of motors.



ELECTROGEN

IEC Single Phase Capacitor Run & Start (CRS) Motors Standard Motors up to Frame Size 112

Technical Data

Aluminium housing. Basic version

IE1	Rated Output kW	Size	Type	Rated Speed rpm	Nominal Efficiency %	Power Factor	Rated Current at 220V A	Rated Torque 220 V Nm	Starting Torque	Starting Current	Capacitor	
									For Direct-on-line starting as multiple of the rated		Permanent μF	Start μF
									Torque	Current		
3000 rpm, 2-poles, 50 Hz												
0.18	63 M	34188	2850	64.0	0.99	1.4	0.63	2.0	4.6	8	30	
0.25		34258	2860	65.0	1.00	1.8	0.86	2.0	4.7	10	30	
0.37	71 M	35378	2860	71.5	0.94	2.4	1.2	1.9	4.6	12	40	
0.55		35558	2850	70.0	1.00	3.5	1.9	1.9	4.4	16	60	
0.75	80 M	37758	2840	70.5	1.00	4.8	2.6	2.0	4.2	25	60	
1.1		37118	2850	77.0	0.96	7.1	4.3	2.0	4.4	35	80	
1.5	90 S	39158	2850	77.5	0.98	9.4	5.1	1.8	4.3	40	100	
2.2	90 L	39228	2850	79.0	0.95	13.3	7.3	1.8	4.4	55	140	
3	100L	42038	2850	79.5	0.98	18.6	10.0	1.8	4.5	60	200	
1500 rpm, 4-poles, 50 Hz												
0.12	63 M	41128	1395	54.5	1.00	1.1	0.85	1.6	3.4	6	20	
0.18		41188	1395	56.6	0.98	1.5	1.25	1.6	3.8	8	25	
0.25	71 M	36258	1410	59.0	0.97	2.0	1.7	1.9	3.8	10	30	
0.37		36378	1420	61.2	0.95	2.9	2.6	1.9	3.9	12	40	
0.55	80 M	38558	1410	68.5	0.98	3.8	3.8	1.8	4.0	16	60	
0.75		38758	1420	68.0	0.95	5.1	5.2	1.8	4.0	20	80	
1.1	90 S	40118	1420	77.0	0.94	7.0	7.4	1.8	4.3	30	120	
1.5	90 L	40158	1440	77.5	0.96	9.3	10	1.8	4.2	40	140	
2.2	100 L	43228	1445	79.5	0.95	13.3	14.5	1.8	4.4	50	250	
2.2	112	46228	1440	75.0	0.80	16.2	14.7	1.9	4.3	20	160	

* Flange-mounted (B5) and foot-mounted (B3) are available for all type of motors.



ELECTROGEN

SPINNING
YOUR
WORLD

General Specification (Single Phase Motors)

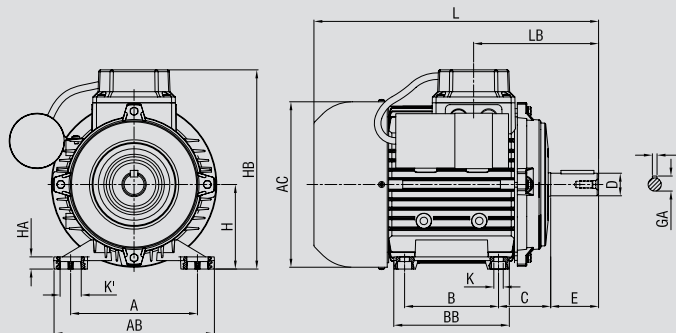
اطلاعات ابعادی موتورهای تک فاز

IEC Single Phase Squirrel-Cage Motors Foot-Mounted Motors, IMB3

Dimensions



Frame Size	No. of Poles	Dimension drawing according to IEC																
		H	B	A	C	K	K'	D	E	F	GA	HA	BB	AB	AC	HB	LB	L
63	2-8	63	80	100	40	M6	12	11	23	4	12.5	7	101	120	124	155	91.5	208
71		71	90	112	47		11	14	30	5	16	8	112	136	141	171.5	105	244
80		100	80	125	50	M8	15.5	19	40	6	21.5	12	125	150	159	193	118	273
90				140	56		18	24	50	26.9	13	123	171	176	210	133	306	
100		100	140	160	63	M10	21	28	60	8	30.9	12.5	174.5	194	194.5	235	152.5	403
112		112	140	190	70							14	183	226.5	219.5	259	161	416





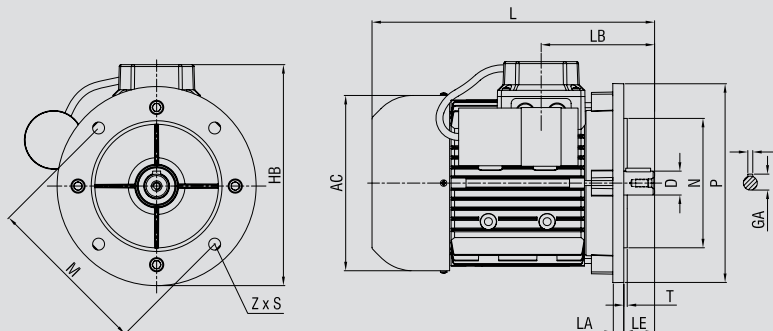
ELECTROGEN

IEC Single Phase Squirrel-Cage Motors Flange-Mounted Motors, IMB5

Dimensions



Frame Size	No. of Poles	Dimension drawing according to IEC														
		P	N	M	LA	T	D	LE	F	GA	AC	HB	Z	S	LB	L
63	2-8	140	95	115	10	3	11	23	4	12.6	124	160	4	M8	91.5	208
71		160	110	130	9	3.5	14	30	5	16	141	180.5			105	244
80		200	130	165	11		19	40	6	21.5	159	213		M10	118	273
90		200				26.9	176	220	133	306						
100		250	180	215	12.5	4	28	60	8	194.5	257	M12		152.5	403	
112		250	15	30.9	219.5					272	161			416		

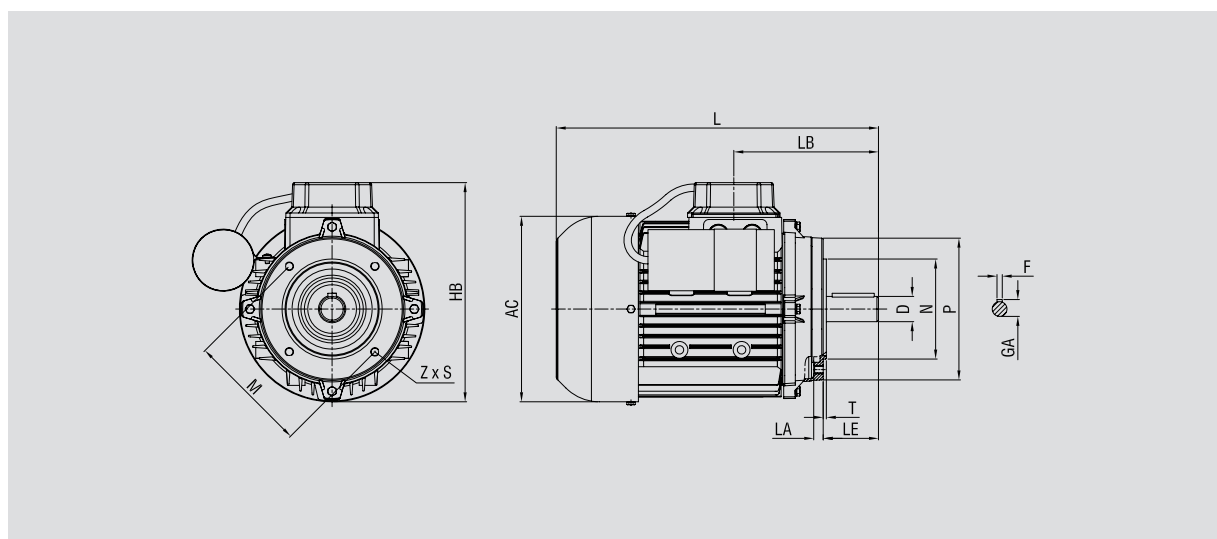


IEC Single Phase Squirrel-Cage Motors Flange-Mounted Motors, IMB14

Dimensions



Frame Size	No. of Poles	Dimension drawing according to IEC														
		P	N	M	LA	T	D	LE	AC	HB	L	LB	Z	S	F	GA
63	2-8	90	60	75	8	2.5	11	23	124	153	208	91.5	4	M4	4	12.6
71		106	70	85	9.5	3	14	30	141	171	244	105		M6	5	16
80		119	80	100	9		19	40	159	195	273	118		6	21.5	
90		135	95	115	17	24	50	176	210	306	133	M8		8	26.9	
100		160	110	130		3.5	28	60	194	233	403				152.5	30.9
112					16.5				218	257	416	161				





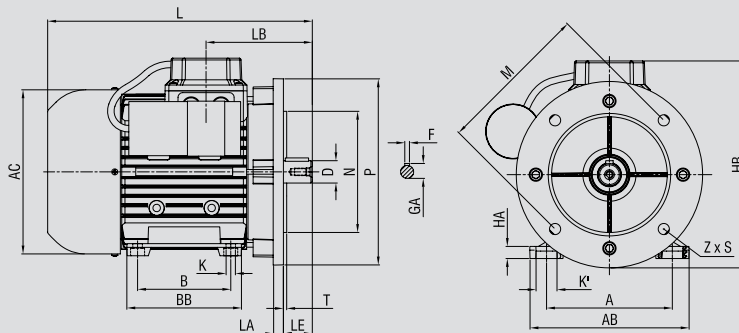
ELECTROGEN

IEC Single Phase Squirrel-Cage Motors Foot and Flange-Mounted Motors, IMB35

Dimensions



Frame Size	No. of Poles	Dimension drawing according to IEC																						
		P	N	M	LA	T	D	LE	F	GA	AC	HB	Z	S	LB	L	A	B	K	K'	HA	BB	AB	
63	2-8	140	95	115	10	3	11	23	4	12.6	124	160	4	M8	91.5	208	100	80	M6	12	7	101	120	
71		160	110	130	9		14	30	5	16	141	180.5			105	244	112	90		11	8	112	136	
80		200	130	165	11	3.5	19	40	6	21.5	159	213		8	M10	118	273	125	100	M8	15.5	12	125	150
90		240					24	50		26.9	176	220				133	306	140			18	13	123	171
100		250	180	215	12.5	4	28	60	8	30.9	194.5	257		M12	152.5	403	160	140	M10	21	12.5	174.5	194	
112		250			15						219.5	272			161	416	190	140			14	183	226.5	



IEC Single Phase Squirrel-Cage Motors Spare Parts

Part No.	Designation	Part No.	Designation
1	Frame	13	Capacitor
2	Stator	14	Washer
3	Shaft	15	Nut
4	Rotor	16	Fan
5	Bearing , N-end	17	Fan Cover
5	Bearing , D-end	18	Screw for Fan Cover
6	Endshield , N-end	19	Frame Feet (1 Pair)
7	Wave Spring , N-end	20	Screw for Frame Feet
8	Endshield , D-end	21	Terminal board
9	Screws for Endshields	22	Screw for Terminal board
10	Capacitor Holder	23	Terminal box Cover
11	Washer	24	Key , D-end
12	Nut		

